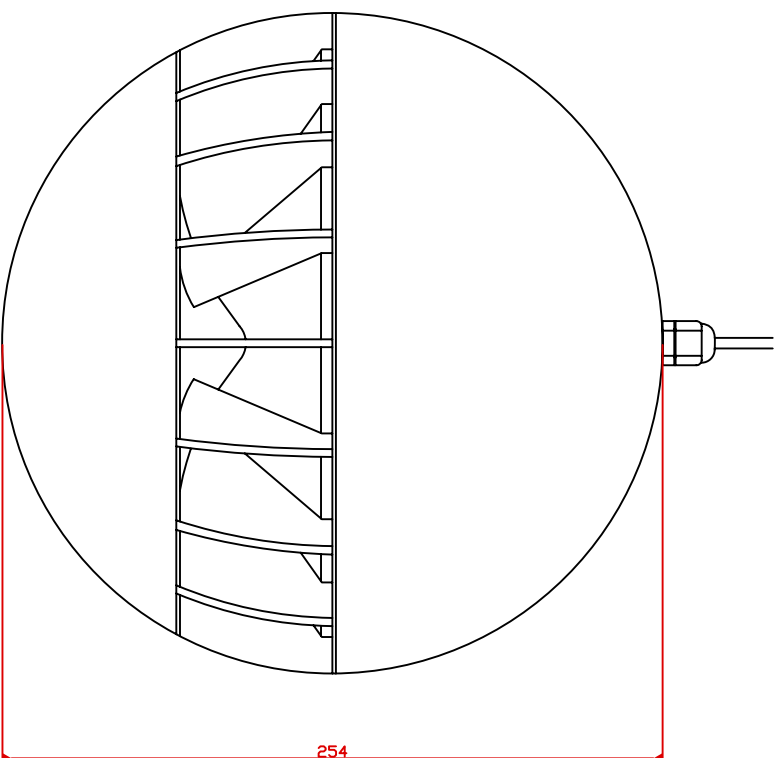


SPH20

Sphere Loudspeaker



APARTE