

SR-C8SWP

LINE ARRAY SPEAKER

The SR-C8SWP is a 2-way line array speaker featuring wave front control technology which creates a sound field with high sound clarity and uniform sound pressure. Recommended digital speaker processor is the DP-SP3. It can be converted into the bi-amplifier drive system by changing the internal connection.



Order no: SR-C8SWP

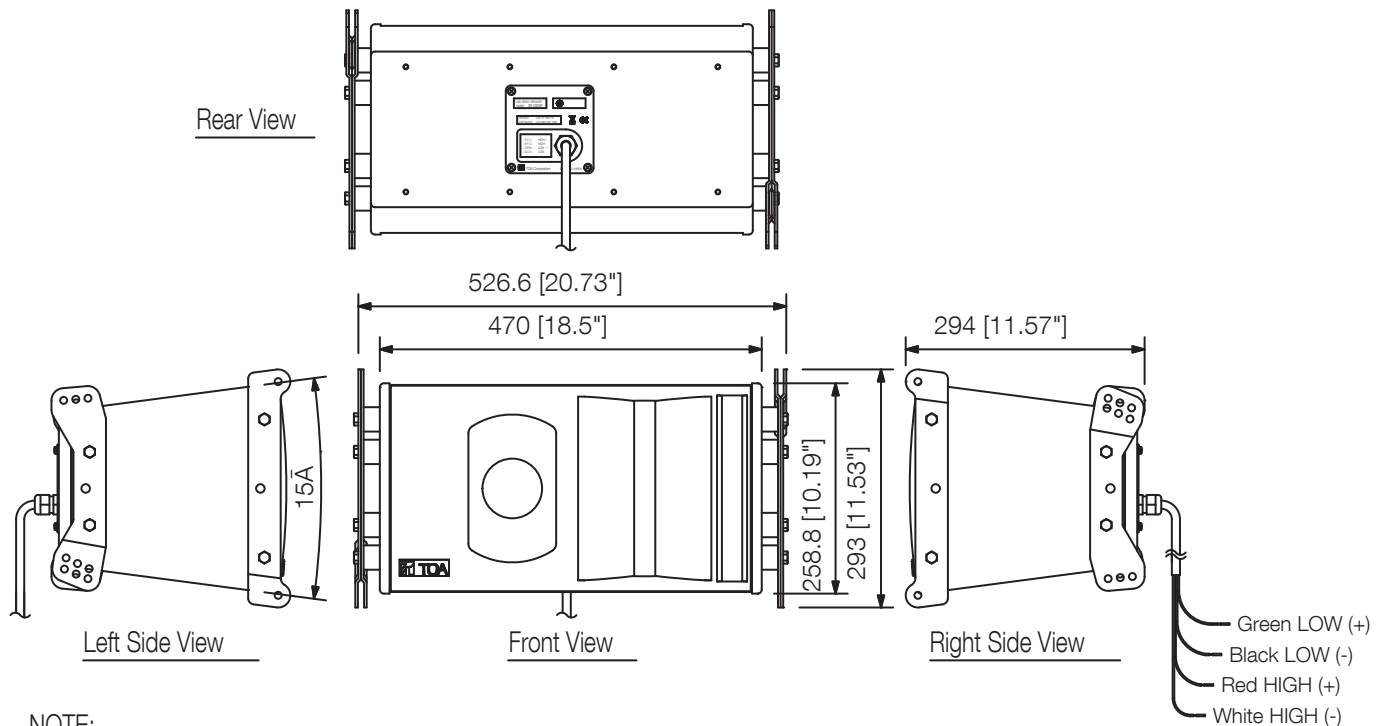
Specifications

Frequency response	65 Hz - 20 kHz
Connection	Direct cable, 3 m
Sensitivity (1#W, 1#m) (combined)	98 dB (single-amp mode); low: 95 dB; high: 110 dB (bi-amp mode)
Speaker component	Low frequency: 20 cm cone-type / High frequency: Wave-front control horn + compression drivers x 2
Directivity angle horizontal	110 °
Directivity angle vertical	15 °
Rated impedance	16 Ω
Crossover frequency	1600 Hz
Power handling capacity	Continuous program: 360 W (single-amp mode) / low frequency: 360 W, high frequency: 180 W (bi-amp mode)
Dimensions (W x H x D)	526,6 x 293 x 294 mm
Dimensions (ø x D)	x 294 mm
Finish	Plywood, urethane coating, paint, black (RAL 9005 or equivalent)

SR-C8SWP

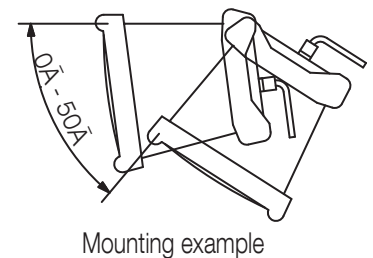
LINE ARRAY SPEAKER

Appearance



NOTE:

1. It features the water-protection construction (IPX4), however it is recommended that it be installed under roofs, eaves, or other locations not directly exposed to rain or snow.
2. Do not install the SR-C8SWP at places where it is likely to be corroded such as bath room, indoor pools, or seaside.
3. Install the speaker with its air hole down. The air hole are provided at the bottom surface.
4. For outdoor permanent installation, the installation angle of the speaker as shown at the right must be between 0° horizontal and 50° downward.
5. When permanently installing the speaker outdoors, inspect it periodically.



UNIT:mm SCALE:1/10