

The RS-141 is a handset for the RS-140 Switch Panel. Lifting the handset will initiate a call to a preprogrammed master station, enabling a handset conversation.

---



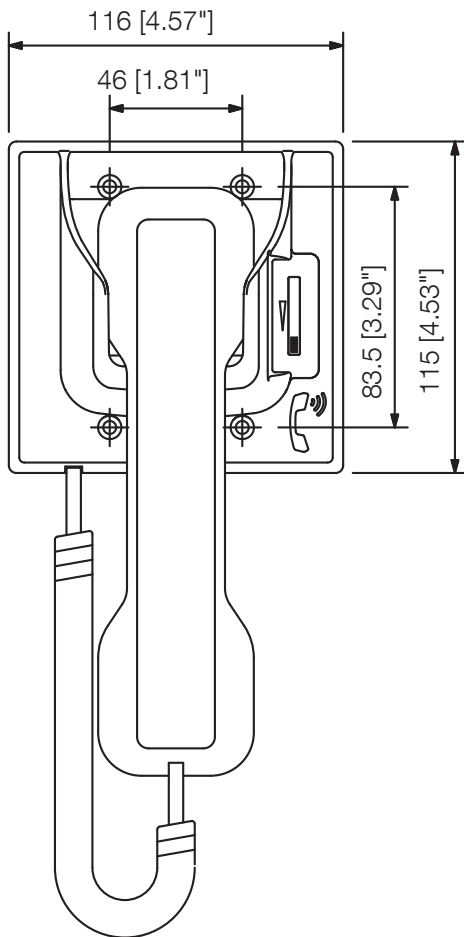
Order no: RS-141  
Alternative products: RS-140, RS-143,  
RS-144

---

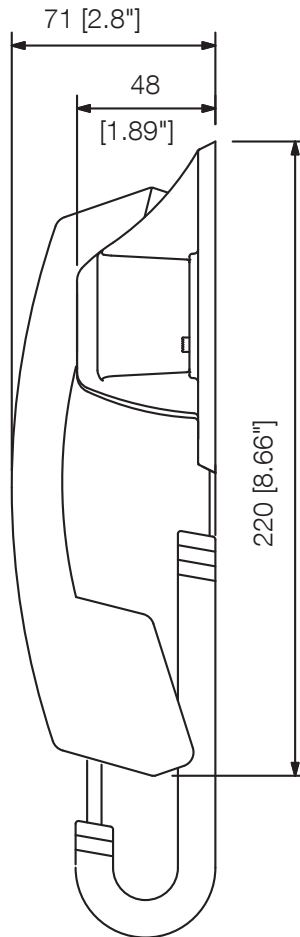
### Specifications

Controls	Volume control: 12 - 18 dB (max.)
Wiring method	Two-core shielded cable
Dimensions (W x H x D)	116 x 220 x 71 mm
Dimensions (ø x D)	x 71 mm
Finish	ABS resin, white
Operating temperature	0°C to +40°C

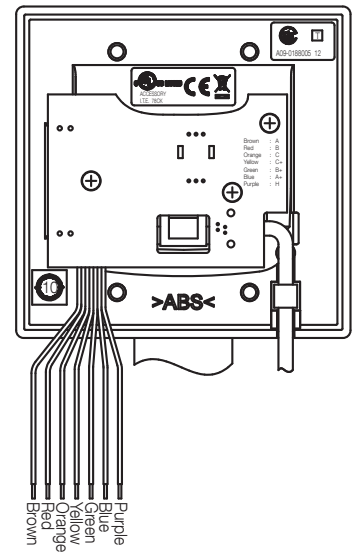
Appearance



Front View



Side View



Rear View

UNIT:mm

SCALE:1/3